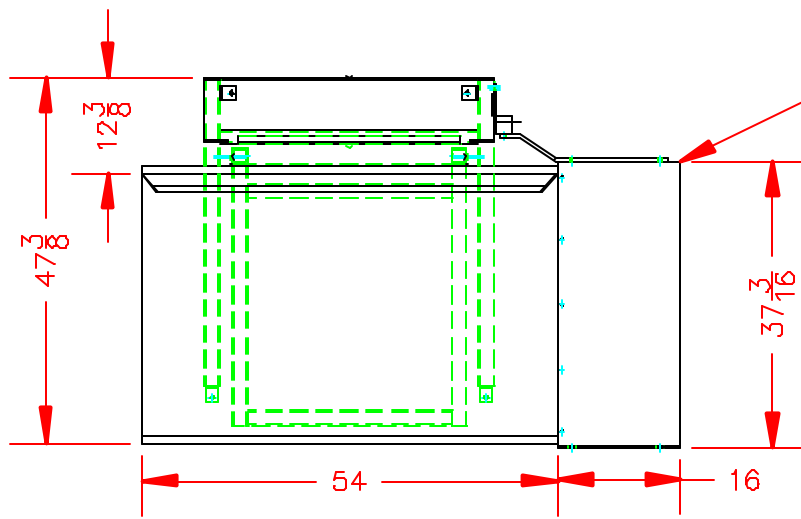
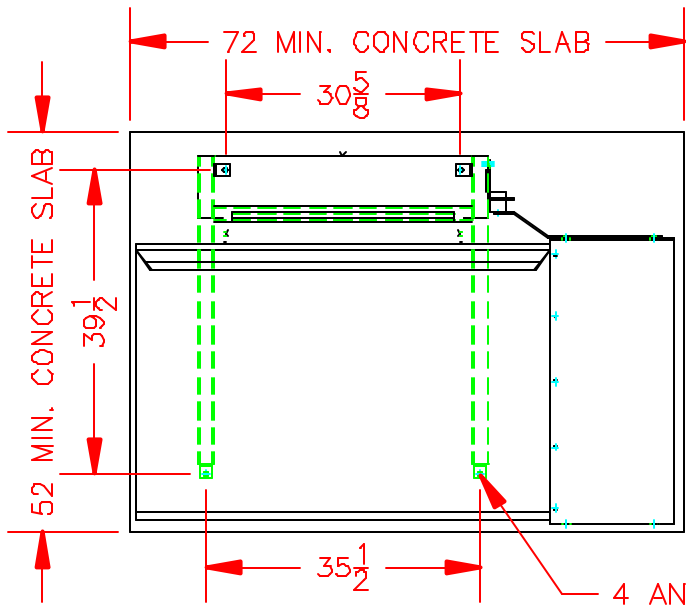
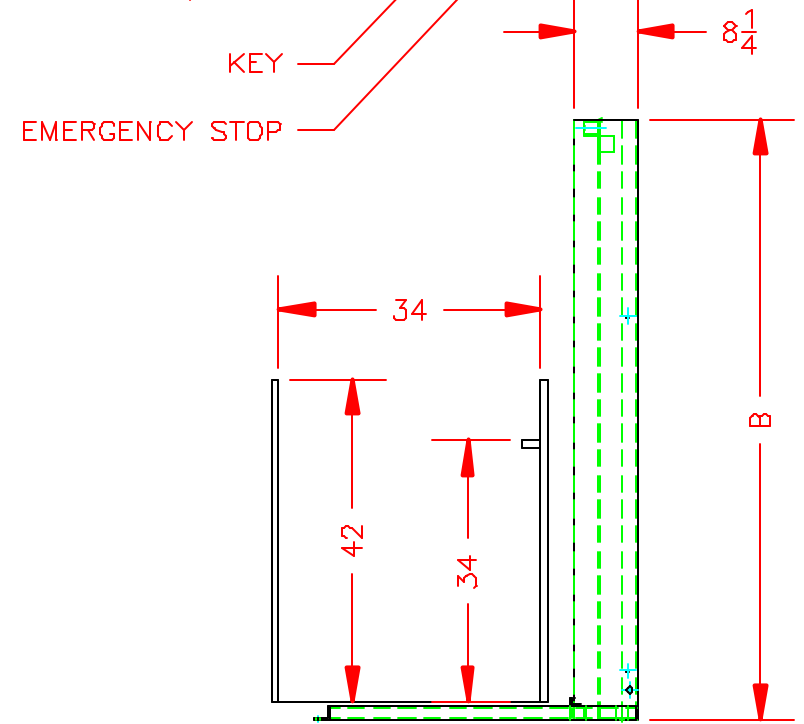
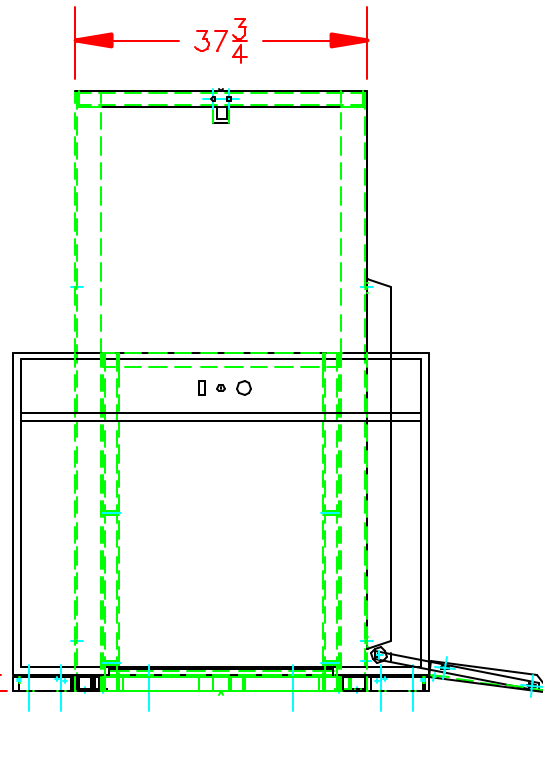
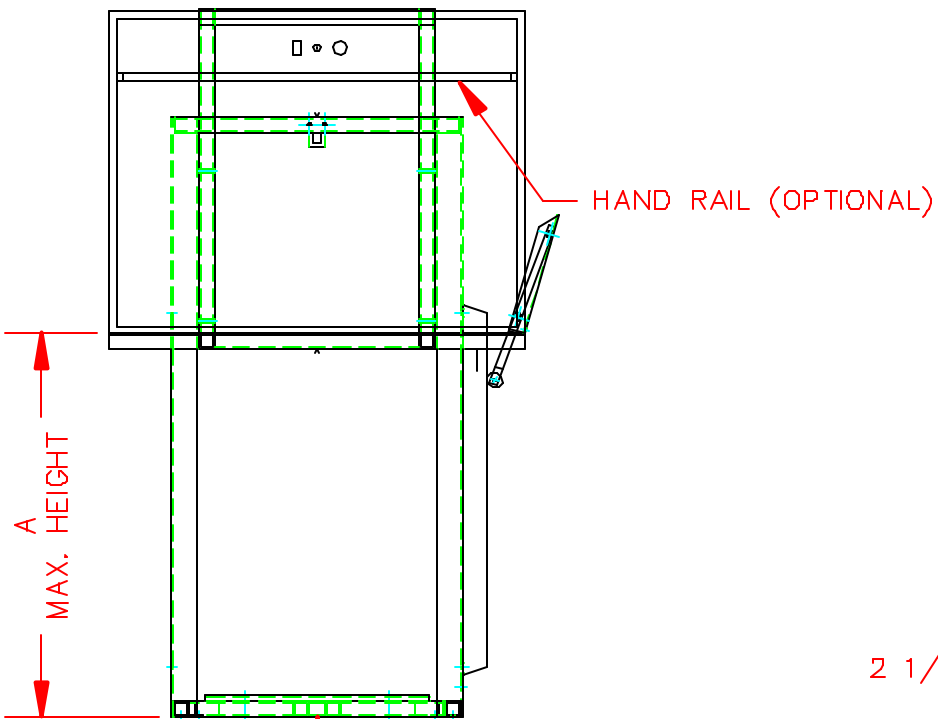
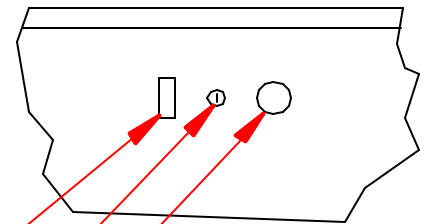


MULTILIFT




THE AUTOMATIC ACCESS RAMP CAN BE INTERCHANGED FROM RIGHT TO LEFT ON SITE.

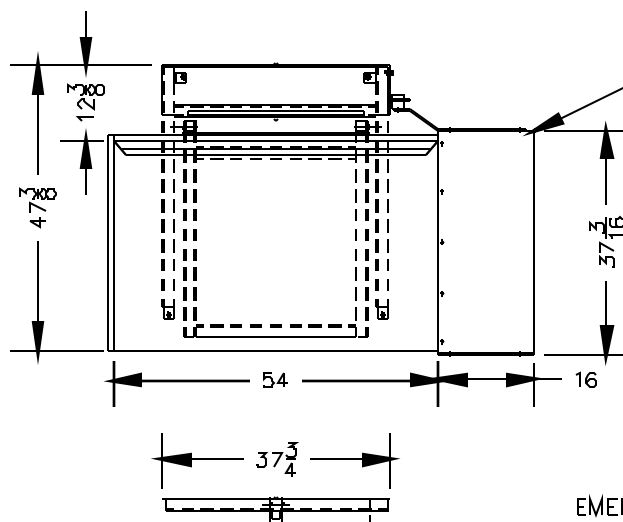
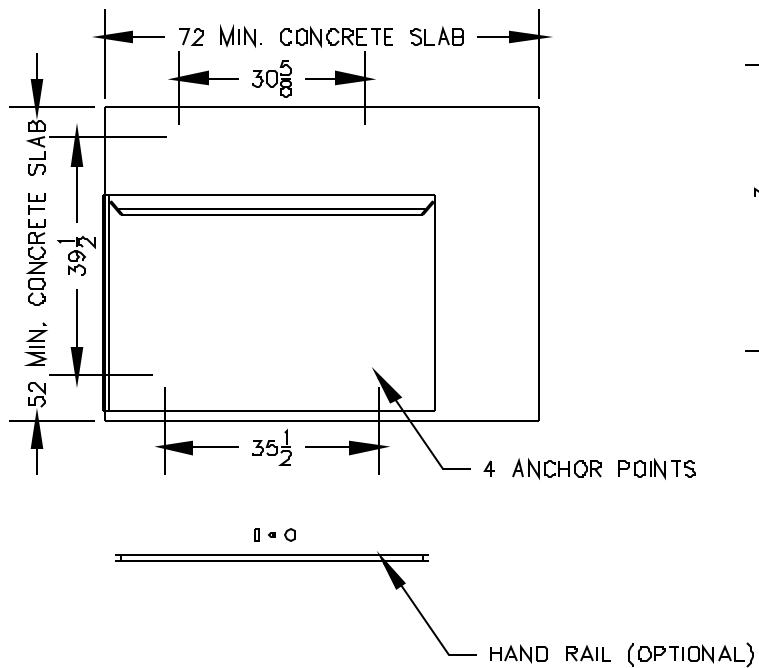
CAR STATION



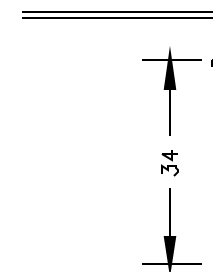
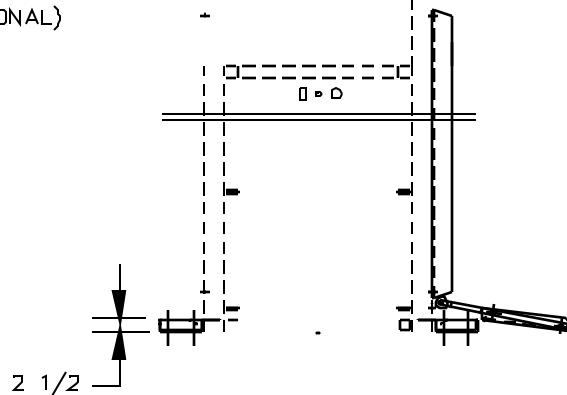
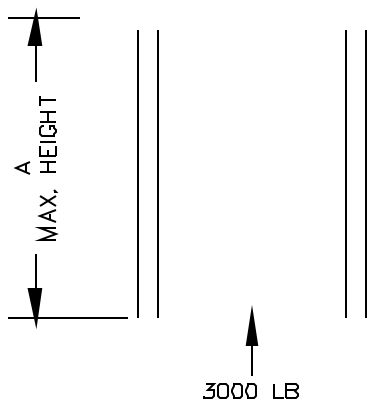
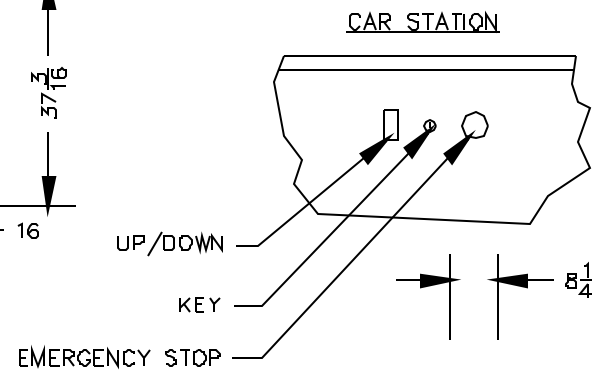
NOTE: DIMENSIONS FOR A 48" TRAVEL: A = 49 1/2"
 B = 78"
 DIMENSIONS FOR A 72" TRAVEL: A = 73"
 B = 102"

DIMENSIONS ARE IN INCHES

MODEL: MULTILIFT		QTY.:	
TOLERANCES IF NOT SPECIFIED			
DEC: ±0.020		ANG: ±0.5°	
SCALE:	DRAWN BY:	NO.	REVISIONS
1/25=1	P. CÔTÉ		DATE
MATERIAL:	DATE:	 SERVICES INDUSTRIELS SAVARIA INC.	
SEE NOTE	20B2/12/09		
DRAWING #	REV#	PAGE:	TITLE:
GENERAL	2	1/1	MULTILIFT



THE AUTOMATIC ACCESS RAMP CAN BE INTERCHANGED FROM RIGHT TO LEFT ON SITE.



NOTE: DIMENSIONS FOR A 48" TRAVEL: A = 49 1/2"
 B = 78 "
 DIMENSIONS FOR A 72" TRAVEL: A = 73"
 B = 102 "