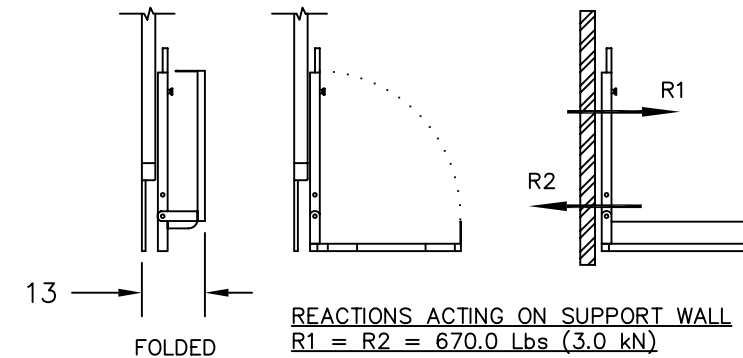
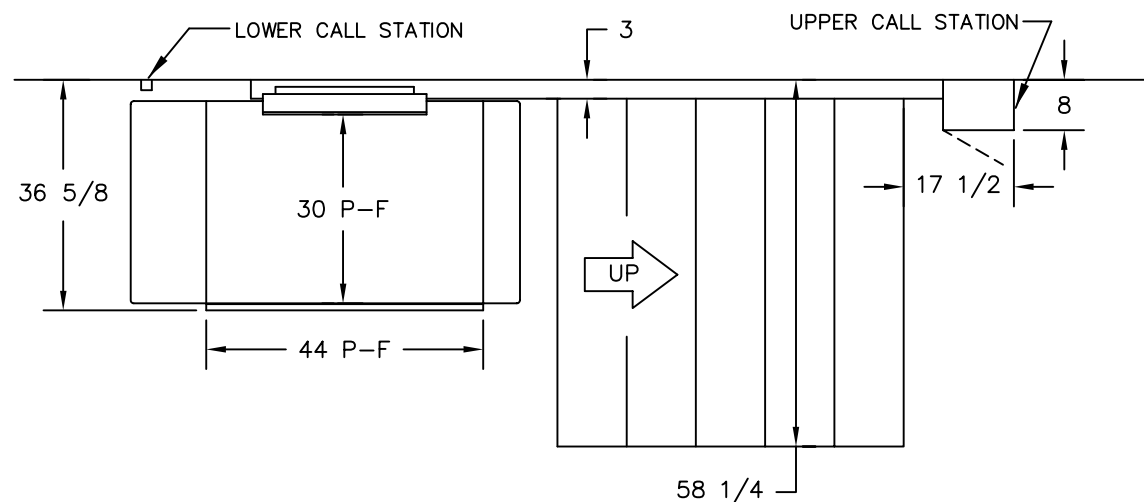


DIMENSIONS ARE IN INCHES

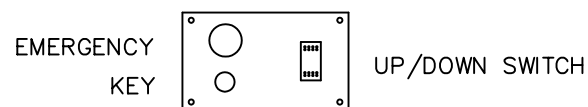
GENERAL SPECIFICATIONS:

- ① INSTALL A LOCKABLE FUSE DISCONNECT TO ISOLATE THE ELECTRIC CONTROLLER TO 110 VAC/1/2 HP/15AMP/MONOPHASE BY OTHERS
- ② ELECTRIC CONTROLLER FOR THE PLATFORM CSA-LR 107643-1



STAIRWAY PLATFORM LIFT MODEL ES-125PLUS  
 ACCESS TO PLATFORM: IN LINE  
 ANGLE OF STAIRCASE: 32.9°  
 WIDTH OF STAIRCASE: 58 1/4"  
 LENGTH OF STAIRWAY: 73 1/4"  
 HEIGHT OF STAIRWAY: 39 3/4"  
 NUMBER OF RISERS: 6  
 NUMBER OF RAIL: 1

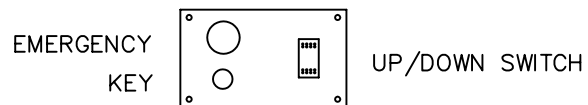
UPPER CALL STATION (CABINET)



CLEARANCE OVER PLATFORM AT ALL TIMES MUST BE AT LEAST 1.5m IN ORDER TO COMPLY WITH CSA B355.

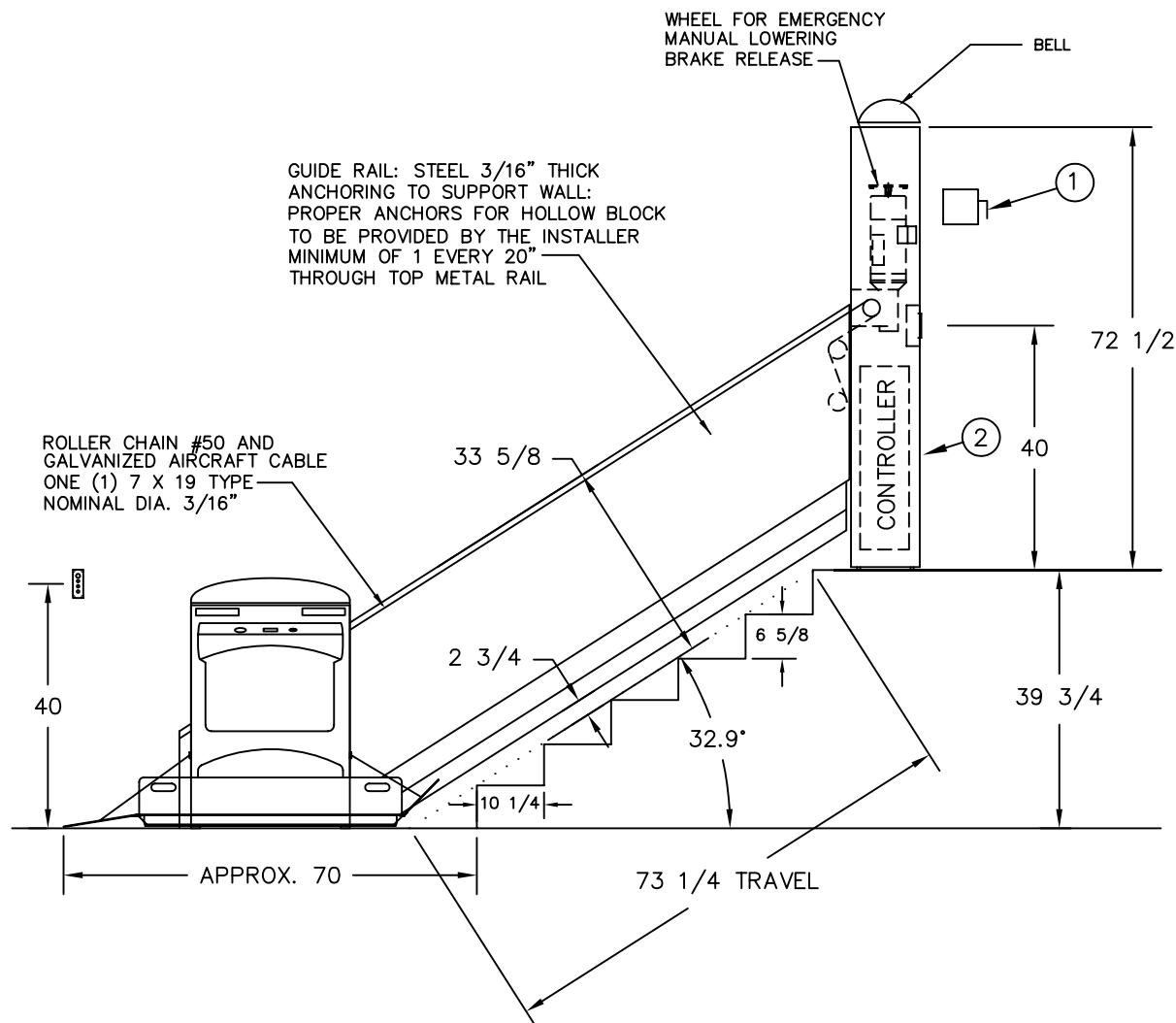
OPTIONS: AUDIO VISUAL ALARM  
 APPROVAL/PROPOSAL DRAWING

CAR STATION



GUIDE RAIL: STEEL 3/16" THICK  
 ANCHORING TO SUPPORT WALL:  
 PROPER ANCHORS FOR HOLLOW BLOCK  
 TO BE PROVIDED BY THE INSTALLER  
 MINIMUM OF 1 EVERY 20"  
 THROUGH TOP METAL RAIL

ROLLER CHAIN #50 AND  
 GALVANIZED AIRCRAFT CABLE  
 ONE (1) 7 X 19 TYPE  
 NOMINAL DIA. 3/16"



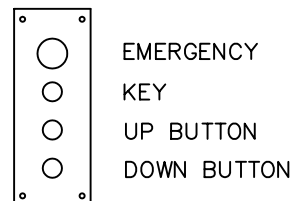
CUSTOMER: RICHARDSON ACCESS

PROJECT: P.O. 903

- 1. RATED LOAD : 450 Lbs (204 kg)
- 2. CAPACITY : ONE PERSON IN WHEELCHAIR
- 3. RATED SPEED : 20 ft/min MAX. (0.10 m/s)
- 4. WEIGHT OF CAR : 185 Lbs
- 5. POWER SUPPLY : 110VAC/15A/1Ph/60hz
- 6. OPERATION : CONSTANT PRESSURE
- 7. PLATFORM SIZE: 30" X 44"
- 8. ELEVATING CLASS : UNENCLOSED STAIR PLATFORM LIFT
- 9. BEIGE COLOR STANDARD

PULL-OUT FORCE ON SUPPORT WALL IS APPROXIMATELY 670 LBS (3.0 kN). ADEQUATE STRUCTURAL SUPPORT TO BE PROVIDED AT THE TOP LANDING, THE BOTTOM LANDING, AND THROUGHOUT THE SUPPORTING WALL ALONG THE STAIRS.

LOWER CALL STATION



MODEL: ES-125PLUS QTY: 1

TOLERANCES IF NOT SPECIFIED:				
DEC: .030		ANG: 0.150°		
SCALE:	DRAWN BY:	NO.	REVISIONS	DATE
	P.MOREAU			
MATERIAL:	DATE:			
S\0	09/28/02			
DRAWING NO:	REV#	SHEET:	TITLE:	
9345LIGBU			LIFT FOR HANDICAPPED	