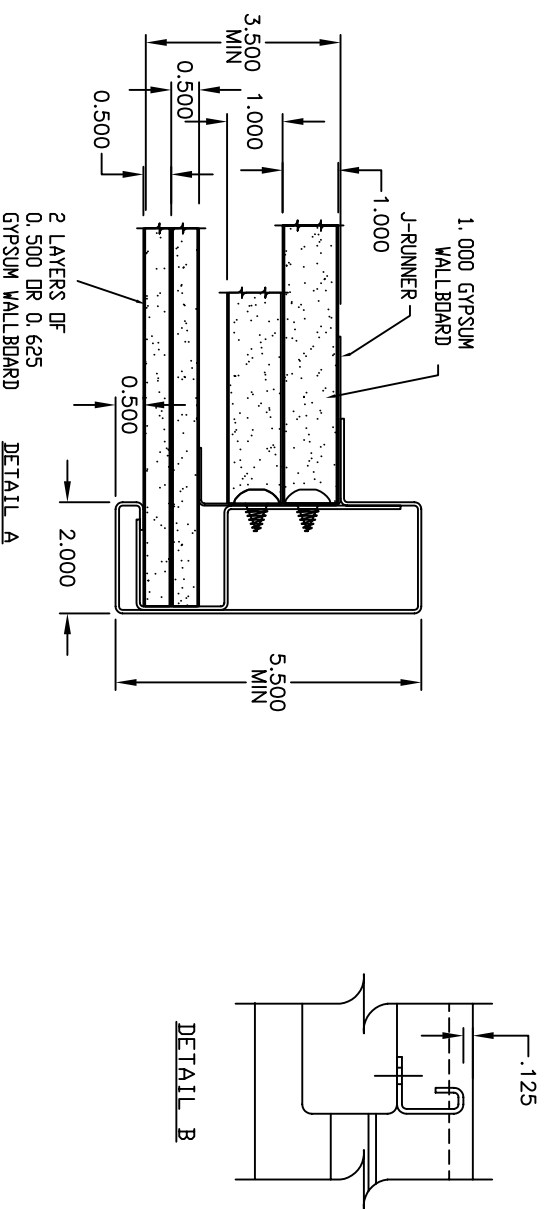
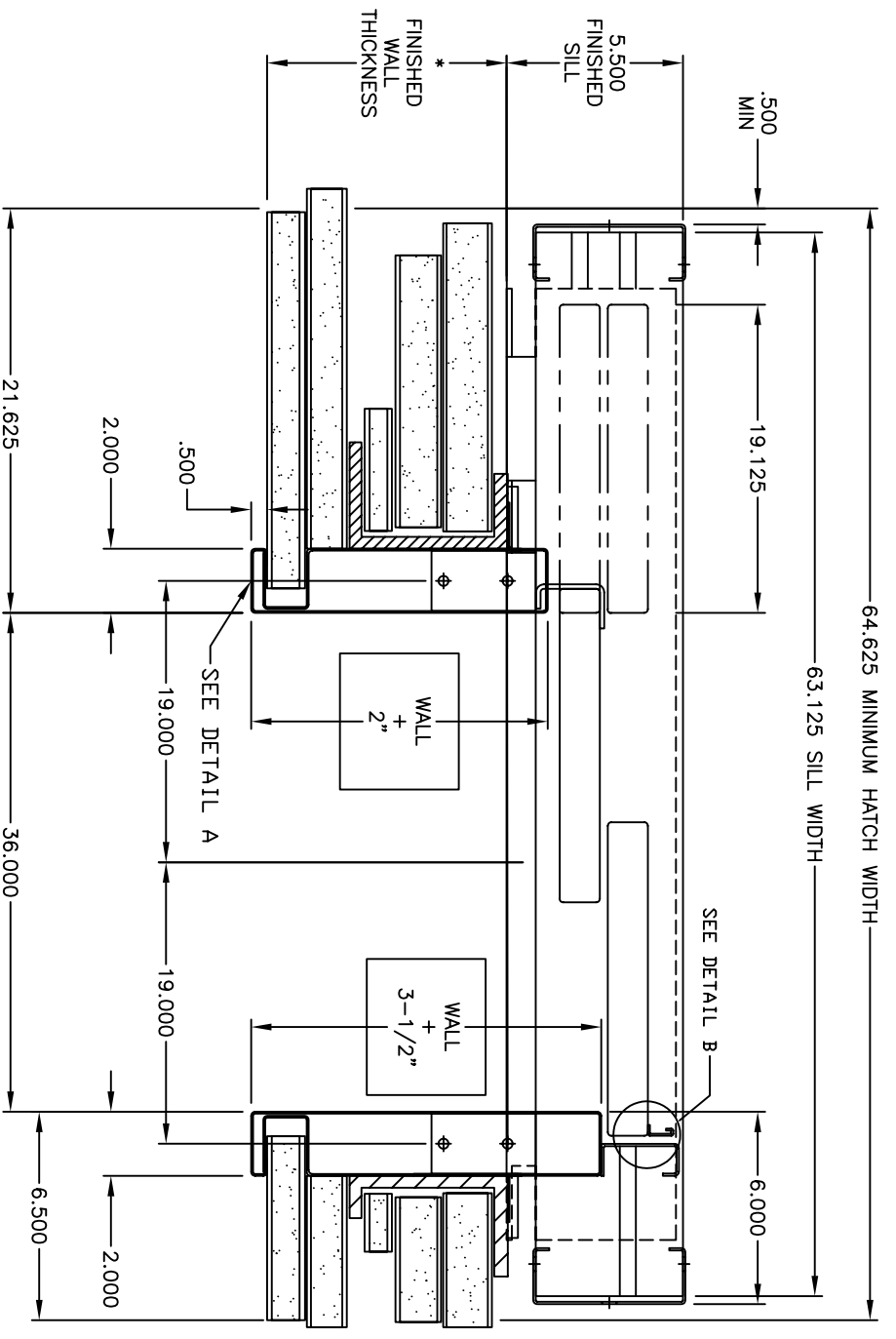
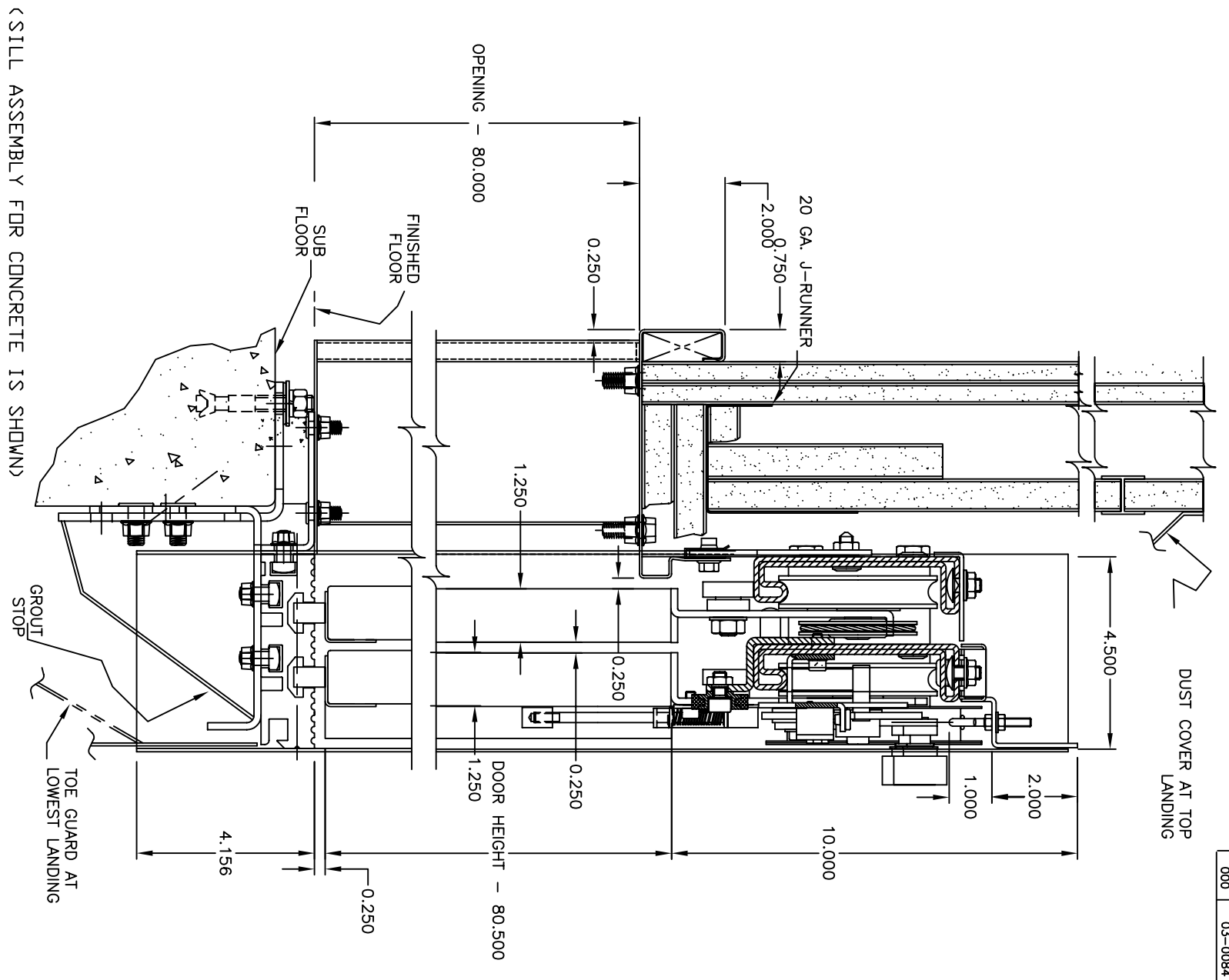


REV	ECO NO.	DATE	REVISIONS	REVISED BY
000	03-0084	OCT-15-03	1ST RELEASE	



CONTRACTOR PLEASE NOTE:

1'X12' GYPSUM BOARD LINER WITH FILLER SHIMS REQUIRED FOR ENTRANCES OVER 7'0". ENTRANCES 7'0" OR LESS IN HEIGHT, DO NOT REQUIRE THE USE OF LINERS AND FILLER SHIMS AROUND EXTERIOR OF THE FRAME.



TYPICAL SECTION

< SILL ASSEMBLY FOR CONCRETE IS SHOWN >

<p>THE INFORMATION DISCLOSED HEREIN IS THE EXCLUSIVE PROPERTY OF SAVARIA CONCORD</p> <p>Your Accessibility Partners</p> <p>AND MAY NOT BE USED BY OTHERS WITHOUT PRIOR WRITTEN CONSENT</p>		<p>UNLESS OTHERWISE SPECIFIED ALL DIMENSIONS ARE IN INCHES. TOLERANCES IN INCHES ARE:</p> <p>ON: [X=±.3] [XX=±0.8] [XXX=±0.25]</p> <p>ANGLES X = ±2X = ±0.5</p>		<p>DO NOT SCALE DRAWING</p> <p>DESIGNED BY: WITTUR INC.</p> <p>DRAWN BY: WITTUR INC.</p>		<p>REMOVE ALL BURRS & SHARP CORNERS</p> <p>SCALE: N/A</p> <p>DESIGN DATE: OCT-08-03</p> <p>DRAFTSPERSON: N/A</p>		<p>REVISION: 000</p>	
<p>TITLE: ENTRANCE 2 SPEED MNTG DETAILS - DRYWALL (WITTUR) 36.00 x 80.00</p>		<p>FINISH: N/A</p>		<p>SHEET 1 OF 1</p>		<p>DRAWING NO: ENT-WITTUR-DW</p>		<p>SIZE B</p>	

RIGHT HAND SHOWN