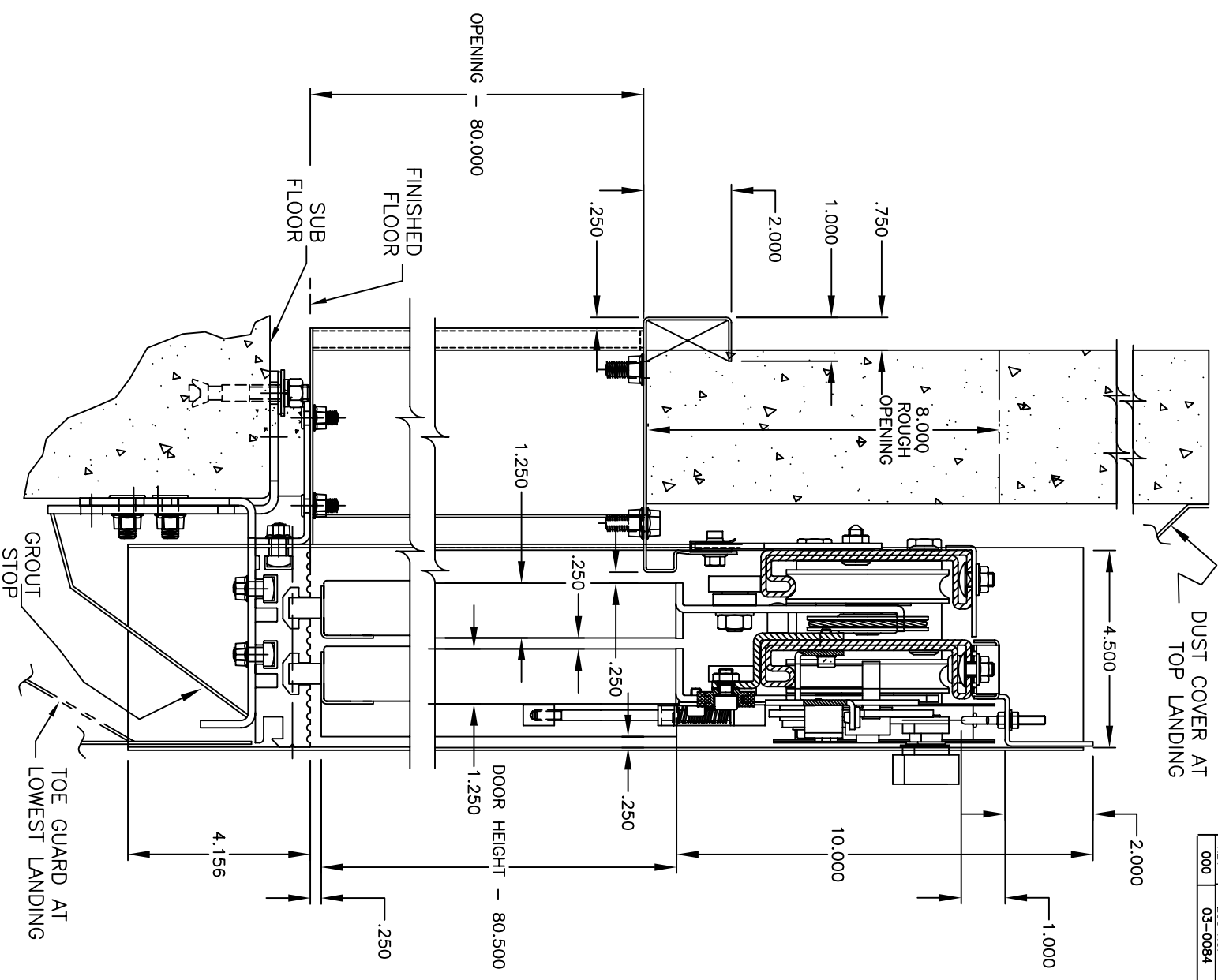
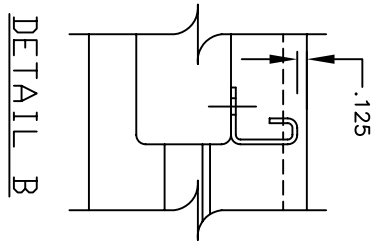
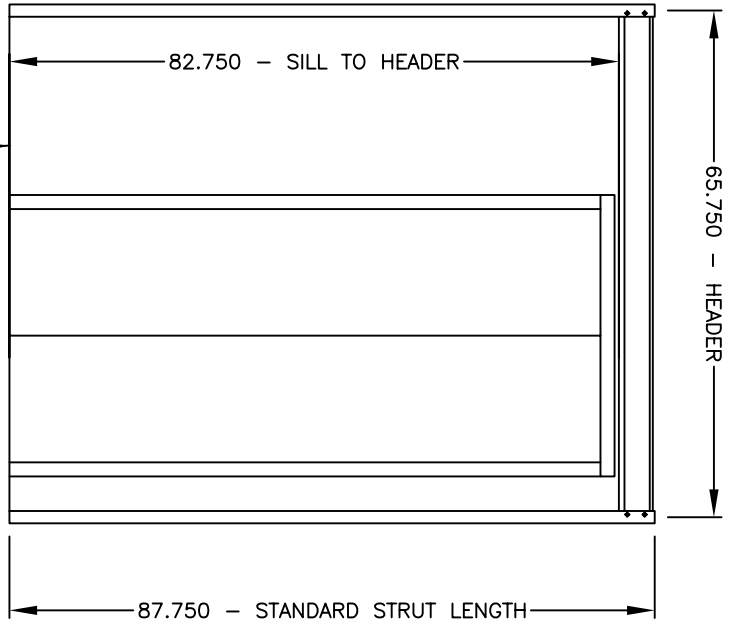
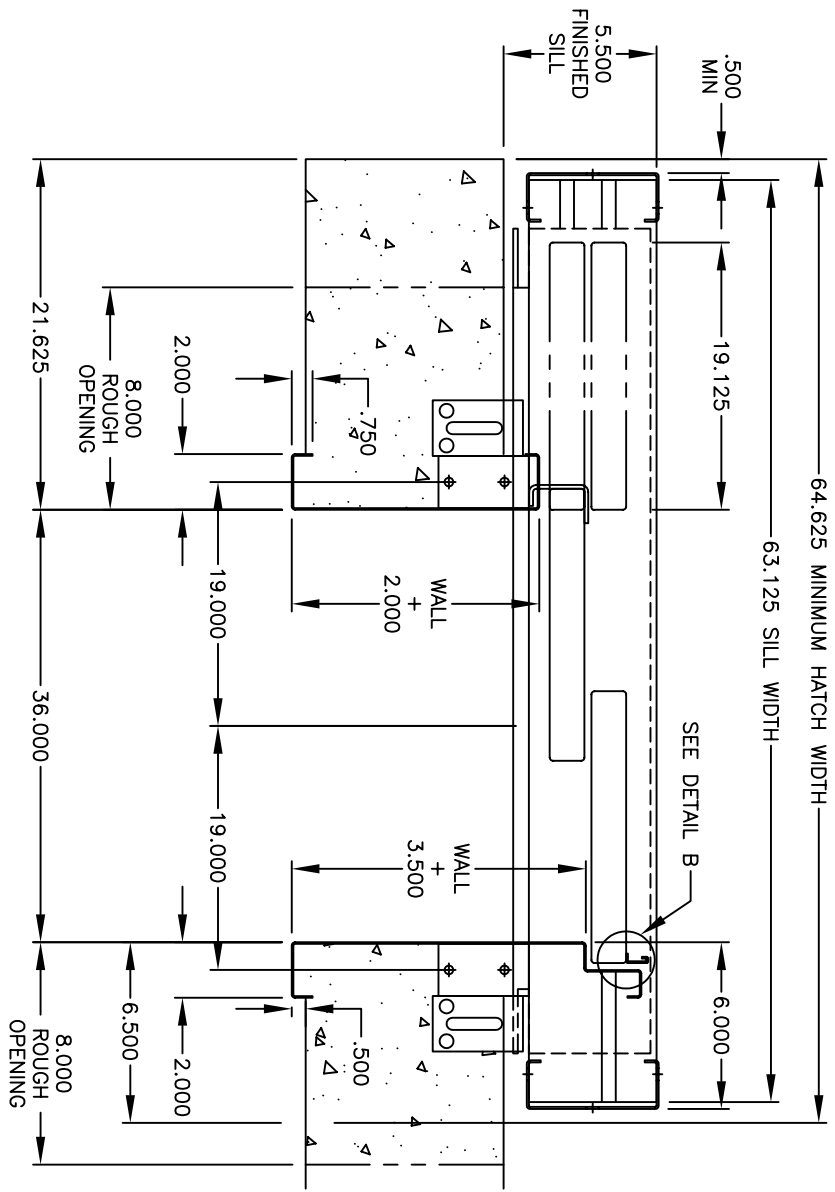


REV	ECO NO.	DATE	REVISIONS	REVISED BY
000	03-0084	OCT-15-03	1ST RELEASE	



TYPICAL SECTION  
< SILL ASSEMBLY FOR CONCRETE IS SHOWN >

RIGHT HAND SHOWN

THE INFORMATION DISCLOSED HEREIN IS THE EXCLUSIVE PROPERTY OF SAVARIA CONCORD. ALL DIMENSIONS ARE IN INCHES. TOLERANCES UNLESS OTHERWISE SPECIFIED ARE: .X=±.3, .XX=±0.8, .XXX=±0.25. ANGLES X=±2X ±0.5.

**SAVARIA CONCORD**  
Your Accessibility Partners

AND MAY NOT BE USED BY OTHERS WITHOUT PRIOR WRITTEN CONSENT.

TITLE: ENTRANCE 2 SPEED MNTG DETAILS - MASONARY (WITTUR) 36.00 x 80.00

FINISH:	N/A	SHEET 1 OF 1	DRAWING NO:	ENT-WITTUR-MA	SIZE	B
DO NOT SCALE DRAWING	DESIGNED BY:	WITTUR INC.	DESIGN DATE:	OCT-08-03	SCALE:	N/A
REMOVE ALL BURRS & SHARP CORNERS	DRAWN BY:	WITTUR INC.	DRAWN DATE:	OCT-08-03	DRAFTSPERSON:	
					REVISION:	000