

PROVISIONS BY OTHERS

*GENERAL

PLUMB HOISTWAY - DUE TO CLOSE RUNNING CLEARANCES OWNER/AGENT MUST ENSURE THAT PIT IS LEVEL, PLUMB AND SQUARE WITH THE UPPER LANDING AND IS IN ACCORDANCE WITH THE DIMENSIONS SHOWN ON THESE DRAWINGS.

MINIMUM OVERHEAD CLEARANCE - OWNER/AGENT MUST ENSURE MINIMUM OVERHEAD CLEARANCE IS IN COMPLIANCE WITH THIS DRAWING.

CONSTRUCTION SITE - OWNER/AGENT TO PROVIDE ALL MASONRY, CARPENTRY AND DRYWALL WORK AS REQUIRED AND SHALL PATCH AND MAKE GOOD (INCLUDING FINISH PAINTING) ALL AREAS WHERE WALLS/FLOORS MAY REQUIRE TO BE CUT, DRILLED OR ALTERED IN ANY WAY TO PERMIT THE PROPER INSTALLATION OF THE LIFT.

DIMENSIONS - CONTRACTOR/CUSTOMER TO VERIFY ALL DIMENSIONS AND REPORT ANY DISCREPANCIES TO OUR OFFICE IMMEDIATELY.

*STRUCTURAL

FLOOR/SUPPORT WALL LOADS - STRUCTURAL ENGINEER TO ASSURE THAT BUILDING WILL SAFELY SUPPORT ALL LOADS IMPOSED BY THE LIFT EQUIPMENT. REFER TO THE TABLES ON THIS DRAWING FOR LOADS IMPOSED BY THE EQUIPMENT.

*ELECTRICAL

POWER SUPPLY - LOCKABLE FUSED DISCONNECT (15 A) WITH AUXILIARY CONTACT TO BRAKE THE BATTERY FEED, OR CIRCUIT BREAKERS (15 A) WITH A 3-POLE BREAKER FOR BATTERY FEED REQUIRED, IN COMPLIANCE WITH ELECTRICAL CODE (CONTACT CONCORD DEALER).

PERMANENT POWER - BEFORE INSTALLATION CAN BEGIN, PERMANENT POWER OF 120 VAC 60 HZ MUST BE SUPPLIED.

LIGHTING - OWNER/AGENT TO ENSURE AT LEAST 5 FTC OR 54 LUX AMBIENT LIGHTING OVER LIFT AREA.

REMOTE HALL CALL - OWNER/AGENT TO INSTALL THE HALL CALL (WHEN SUPPLIED) WITH THE CENTER LINE 42" (1067mm) ABOVE THE LANDING FLOOR.

NOTES

NOTE A

CLEAR ENTRANCE SHOWN FOR PAL TYPE DOOR. FOR CONCORD PRO-AUTO OR MANUAL FIRE DOOR THE CLEAR OPENING IS 35" (REFER TO CONCORD DOOR DRAWINGS)

NOTE B

PAL PRODUCTS CAN BE USED IN NON-PITTED APPLICATIONS. A FIXED RAMP IS REQUIRED IN THESE APPLICATIONS.

NOTE C

REFER TO CONCORD DOOR DRAWINGS FOR DETAILS OF PAL DOORS AND PRO-DOORS. STANDARD FULL HEIGHT GATE SHOWN.

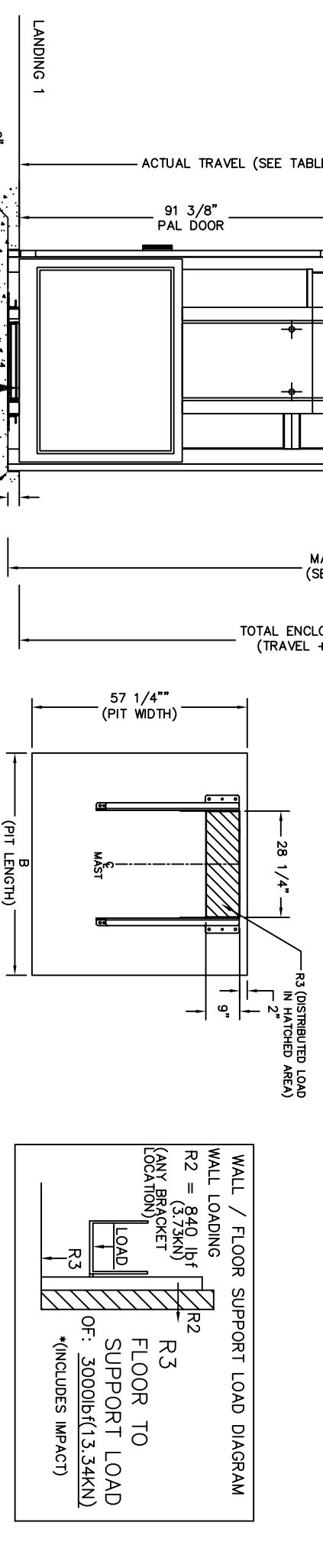
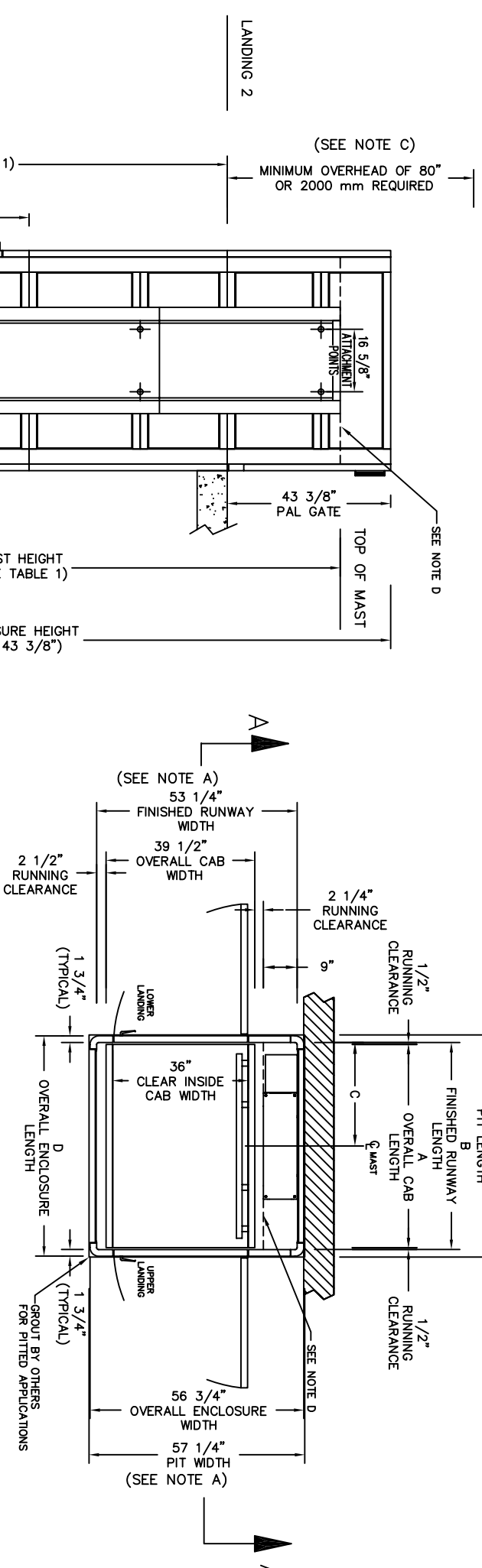


TABLE 2 - HOISTWAY DIMENSION

CLEAR INSIDE CAB WIDTH	CLEAR INSIDE CAB LENGTH	A	B	C	D	E
36"	48"	48"	49"	24 1/2"	52 1/2"	53"
36"	54"	54"	55"	27 1/2"	58 1/2"	59"
36"	60"	60"	61"	30 1/2"	64 1/2"	65"

TABLE 3 - ELEVATION OF THE ATTACHMENT POINTS

Mast Height	81"	105"	129"	153"	177"	201"
Mandatory	75 1/2"	75 1/2"	75 1/2"	75 1/2"	75 1/2"	75 1/2"
Wall Mounting		100"	123 7/8"	119 3/4"	123 7/8"	123 7/8"
				147 3/4"	171 7/8"	167 3/4"
						195 3/4"

TABLE 1 - MAST HEIGHT

MODEL	Max. Travel inches(mm)	Mast Height inches(mm)
48	48"	81"
72	72"	105"
96	96"	129"
120	120"	153"
144	144"	177"
168	168"	201"

ELEVATION OF ATTACHMENT POINTS, RELATIVE TO THE PIT FLOOR, ARE SHOWN IN TABLE 3. ALTERNATE MOUNTING POINTS AVAILABLE (CONTACT CONCORD REP.)

ALL INFORMATION IS SUBJECT TO CHANGE. PLEASE REFERENCE OUR ON-LINE DRAWINGS AT www.concordlevator.com FOR THE MOST RECENT UPDATES. DOCUMENT REVISION 000, DATE: 05/10/05

VERTICAL PLATFORM LIFT ENCLOSURE
PAL -S, 36" PLATFORM WIDTH
TYPE 2, US

CUSTOMER: _____
PROJECT: _____
LOCATION: _____

DATE: _____
REVISION DATE: _____
JOB No. _____
SHEET No. _____