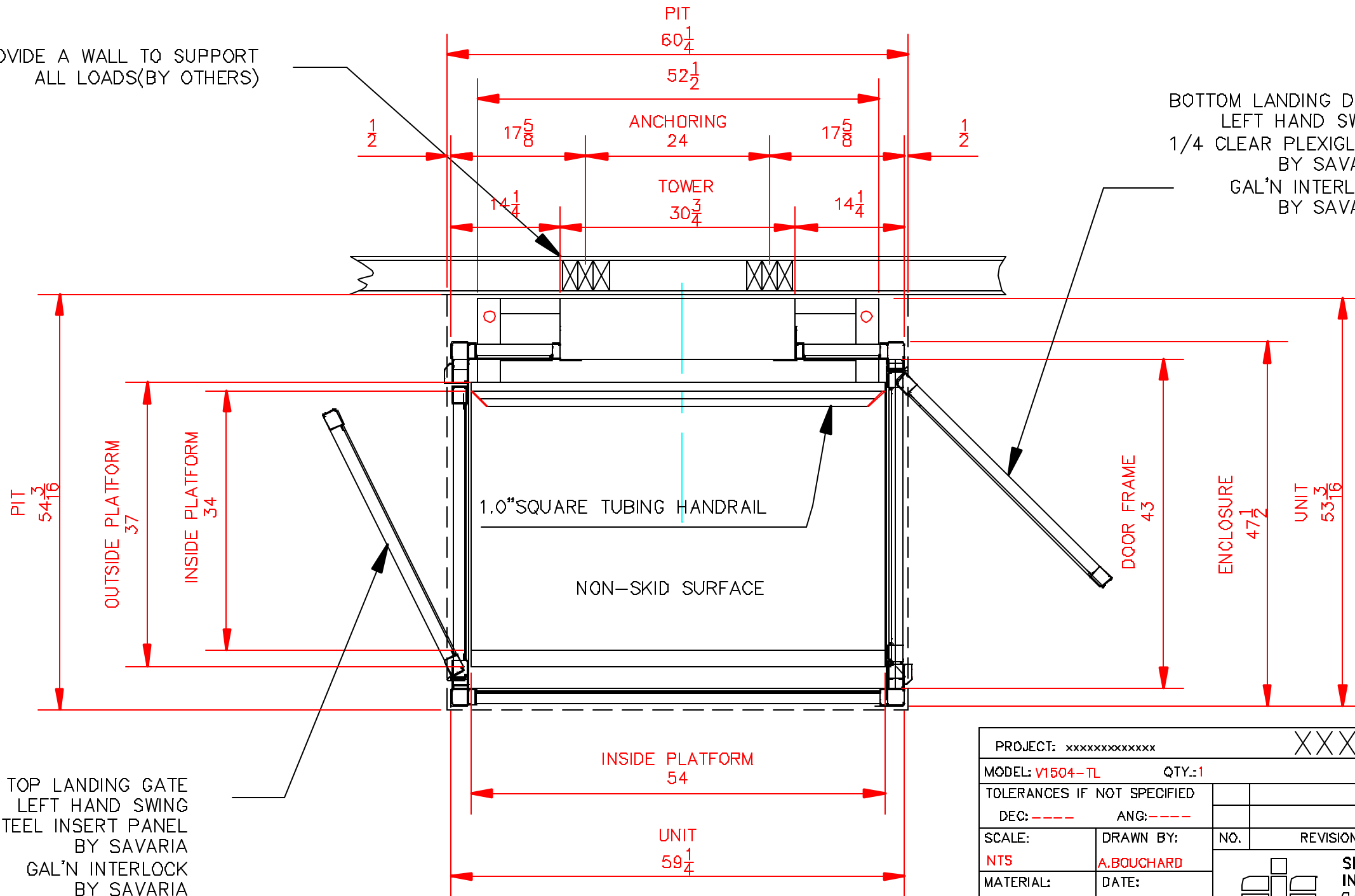



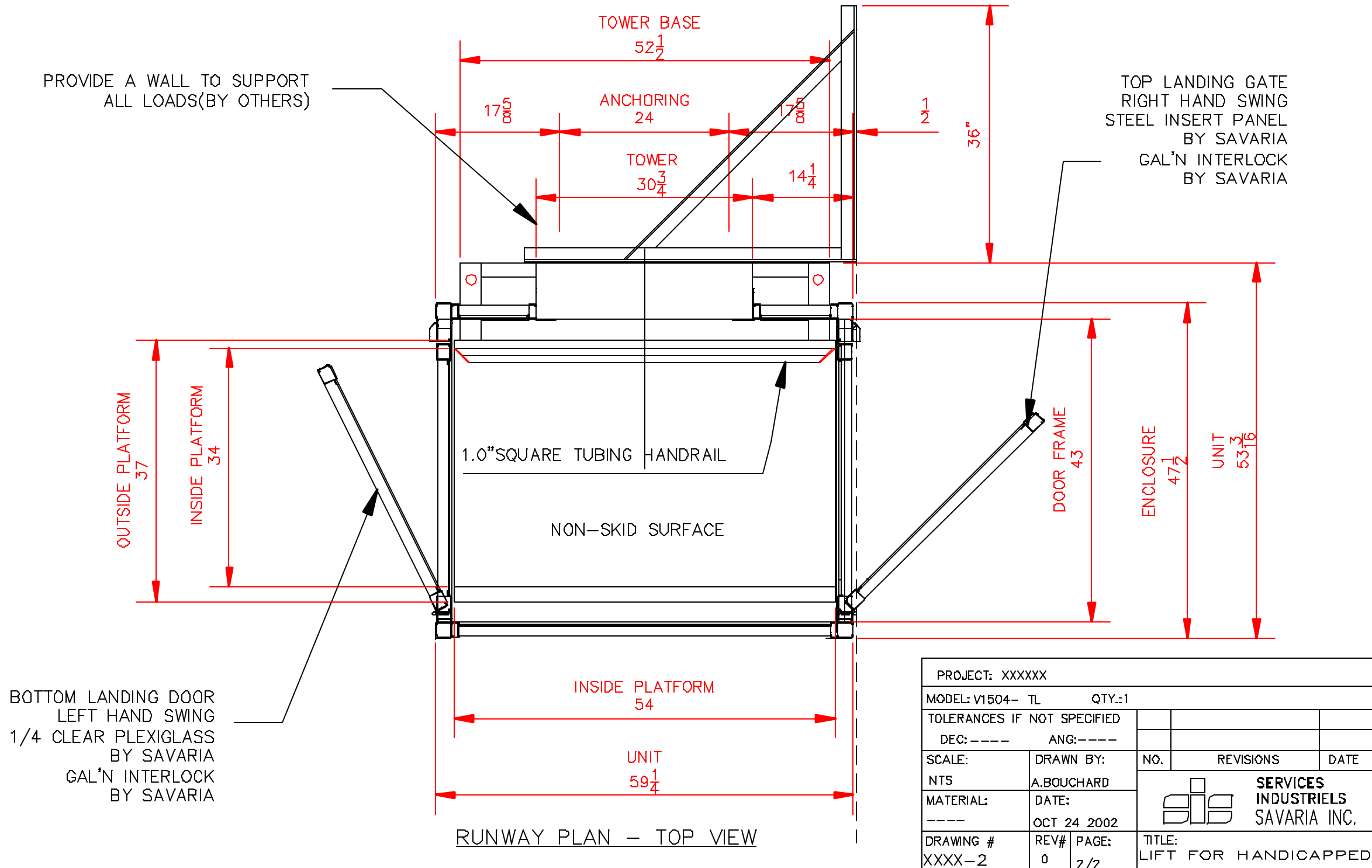
PROVIDE A WALL TO SUPPORT ALL LOADS(BY OTHERS)


BOTTOM LANDING DOOR
LEFT HAND SWING
1/4 CLEAR PLEXIGLASS
BY SAVARIA
GAL'N INTERLOCK
BY SAVARIA



RUNWAY PLAN - TOP VIEW

PROJECT: xxxxxxxxxxxx		XXXX		
MODEL: V1504-TL		QTY.:1		
TOLERANCES IF NOT SPECIFIED				
DEC: ----		ANG: ----		
SCALE:	DRAWN BY:	NO.	REVISIONS	DATE
NTS	A. BOUCHARD			
MATERIAL:	DATE:	 SERVICES INDUSTRIELS SAVARIA INC.		
----	NOV 01 2002			
DRAWING #	REV#	PAGE:	TITLE:	
XXXX-2	0	2/2	LIFT FOR HANDICAPPED	



PROJECT: XXXXXX				
MODEL: V1504- TL		QTY: 1		
TOLERANCES IF NOT SPECIFIED				
DEC: ----		ANG: ----		
SCALE:	DRAWN BY:	NO.	REVISIONS	DATE
NTS	A. BOUCHARD			
MATERIAL:	DATE:	 SERVICES INDUSTRIELS SAVARIA INC.		
----	OCT 24 2002			
DRAWING #	REV#	PAGE:	TITLE:	
XXXX-2	0	2/2	LIFT FOR HANDICAPPED	